



INSTALLATION INSTRUCTIONS

E-SERIES , SIGNATURE, & PLATINUM OVAL STEP BARS

AUTOMOTIVE PRODUCTS,

APPLICATION:

2015 - 2017 Ford F-150 Regular Cab / Super Cab / Super Crew
2017 Ford F-250/350 Super Duty Regular Cab / Super Cab / Crew Cab

PART NUMBER:

21-3920, 21-3925, 21-3930, 21-3935, 21-3940, 21-3945,
23-3920, 23-3925, 23-3930, 23-3935 23-3940, 23-3945, 23-73930, 23-73940,
25-3920, 25-3925, 25-3930, 25-3935, 25-3940, 25-3945,
26-3920, 26-3930, 26-3940

ITEM	QUANTITY	DESCRIPTION	TOOLS NEEDED
1,2	2	SIDE STEP BAR, DRIVER (1) AND PASSENGER (2)	RATCHET
3,4	2	FRONT MOUNTING BRACKET, DRIVER (3) AND PASSENGER (4)	UTILITY KNIFE
5,6	2	REAR MOUNTING BRACKET, DRIVER (5) AND PASSENGER (6)	3/4 SOCKET
7	4	1/2" HEX HEAD SCREW (YELLOW ZINC)	13MM SOCKET
8	4	1/2" FLAT WASHER (YELLOW ZINC)	TORQUE WRENCH
9	4	1/2" SPLIT LOCK WASHER (YELLOW ZINC)	SOCKET EXTENS.
10	12	M8 HEX NUT (YELLOW ZINC)	
11	12	M8 FLAT WASHER (YELLOW ZINC)	
12	12	M8 SPLIT LOCK WASHER (YELLOW ZINC)	
13	12	M8 SQUARE PLASTIC POLY RETAINER	

ANTI-SEIZE LUBRICANT MUST BE USED ON ALL STAINLESS STEEL FASTENERS TO PREVENT THREAD DAMAGE AND GALLING

PROCEDURE

1. Remove contents from box, verify if all parts listed are present and free from damage. Carefully read and understand all instructions before attempting installation.
Failure to identify damage before installation could lead to a rejection of any claim.
2. Locate factory welded bolts on the rocker panel, See **Figure 1**.
3. Thread M8 square plastic poly retainer onto factory bolts for driver side. Repeat for passenger side, see **Figures 2 & 3**.
(**Note:** The plastic poly retainers are necessary to prevent reaction between supplied steel equipment and aluminum rocker panel.)
4. Loosely install driver side mounting brackets with supplied M8 hardware. Repeat for passenger side, see **Figures 4 & 5**.
(**Note:** The regular cab rear brackets, **Figures 8 - 10**, are different from the super cab/super crew rear brackets. The regular cab rear brackets do not have a gusset.)
5. Loosely install step bar to driver side mounting brackets using supplied 1/2" hardware. Repeat for passenger side, see **Figures 6 & 7**.
6. Align and adjust as necessary then torque: M8 hardware to 15-18 ft-lbs., and 1/2" hardware to 50-55 ft-lbs.

CARE INSTRUCTIONS

- REGULAR WAXING IS RECOMMENDED. DO NOT USE ANY TYPE OF POLISH OR WAX THAT MAY CONTAIN ABRASIVES.
- STAINLESS STEEL PRODUCTS CAN BE CLEANED WITH MILD SOAP AND WATER. STAINLESS STEEL POLISH SHOULD BE USED TO POLISH SMALL SCRATCHES.
- GLOSS BLACK FINISHES SHOULD BE CLEANED WITH MILD SOAP AND WATER.



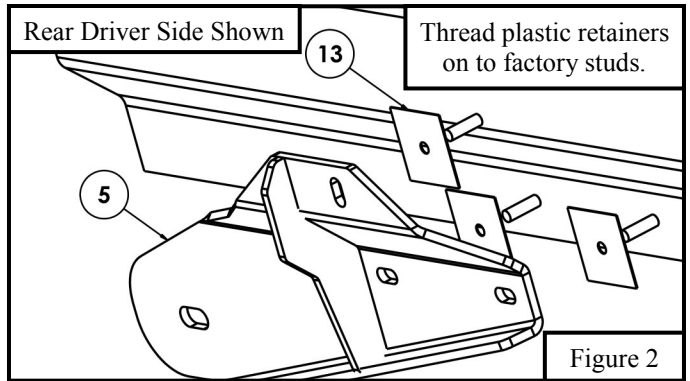
Westin Automotive Products, Inc.
320 W. Covina Blvd
San Dimas, Ca. 91773

Thank you for choosing Westin products
for additional installation assistance please call
Customer Service (800) 793-7846
www.westinautomotive.com



Figure 1

Factory welded studs.
Rear Driver Side Shown



Rear Driver Side Shown

Thread plastic retainers
on to factory studs.

Figure 2

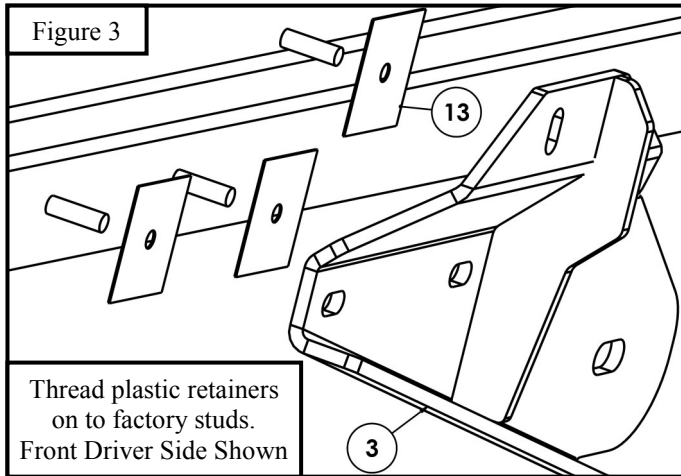


Figure 3

Thread plastic retainers
on to factory studs.
Front Driver Side Shown

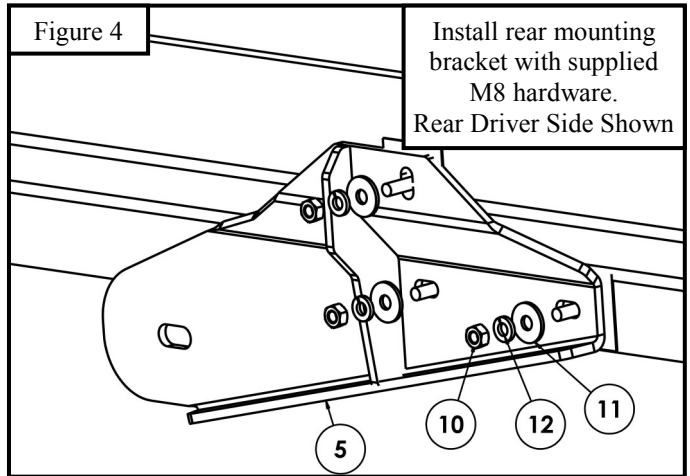


Figure 4

Install rear mounting
bracket with supplied
M8 hardware.
Rear Driver Side Shown

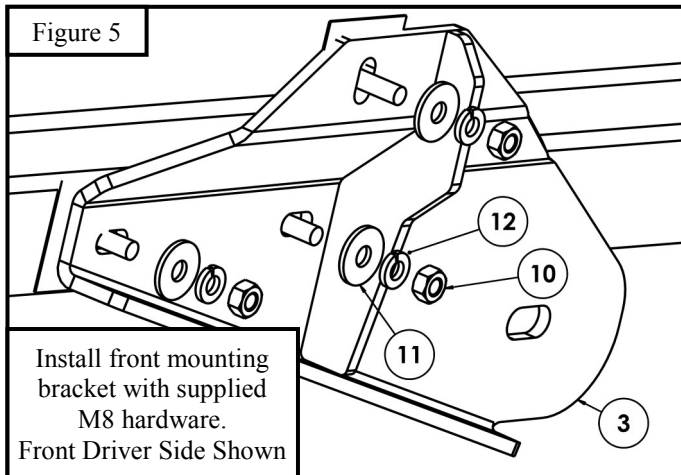


Figure 5

Install front mounting
bracket with supplied
M8 hardware.
Front Driver Side Shown

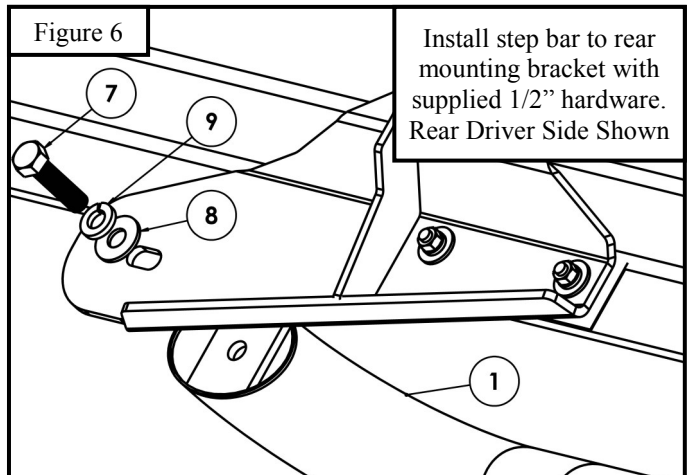


Figure 6

Install step bar to rear
mounting bracket with
supplied 1/2" hardware.
Rear Driver Side Shown

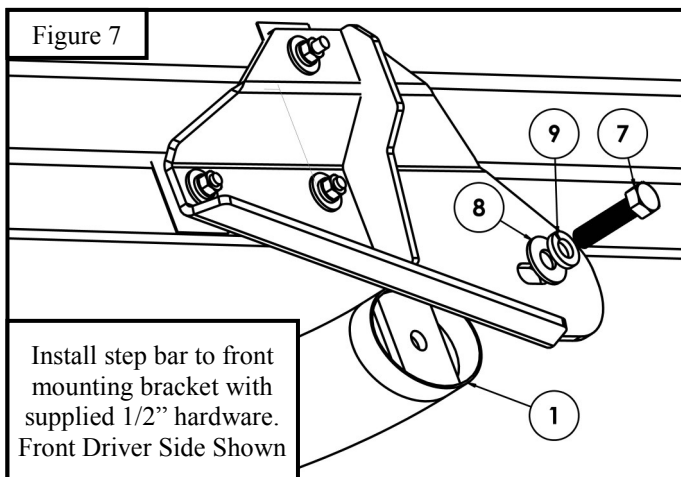


Figure 7

Install step bar to front
mounting bracket with
supplied 1/2" hardware.
Front Driver Side Shown

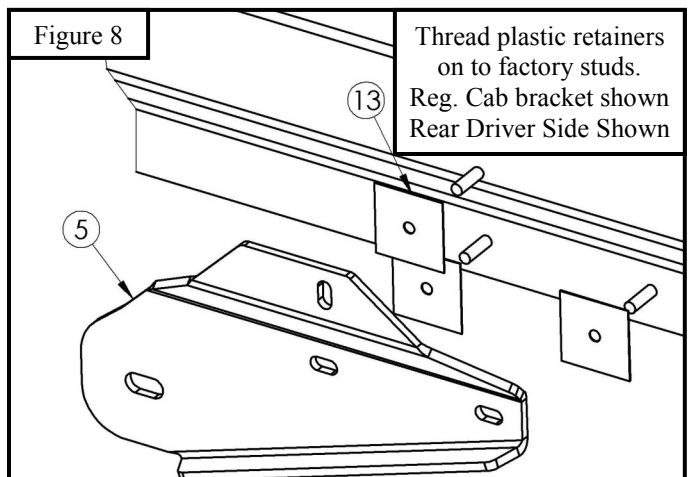


Figure 8

Thread plastic retainers
on to factory studs.
Reg. Cab bracket shown
Rear Driver Side Shown

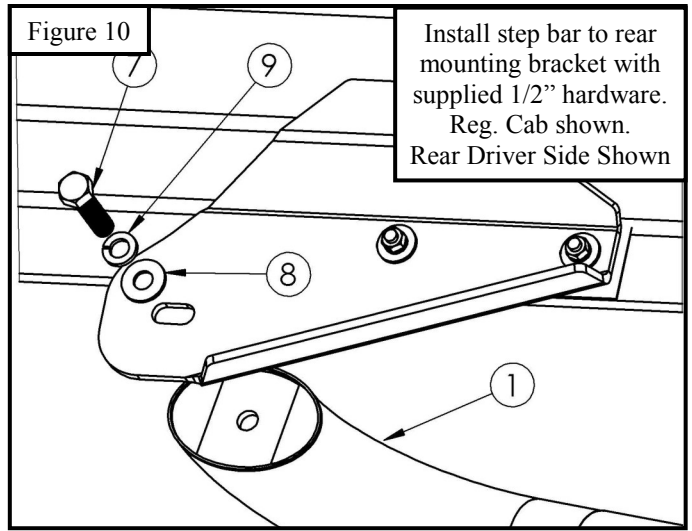
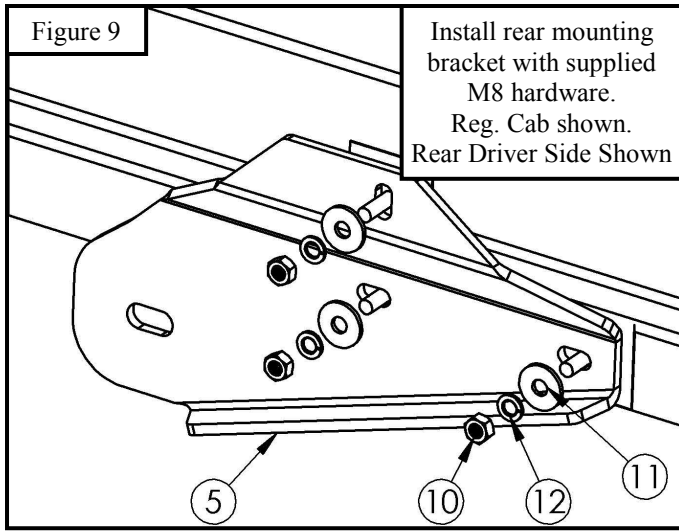


Westin Automotive Products, Inc.
320 W. Covina Blvd
San Dimas, Ca. 91773

Thank you for choosing Westin products
for additional installation assistance please call
Customer Service (800) 793-7846

www.westinautomotive.com

DATE: 9/7/16



Westin Automotive Products, Inc.
320 W. Covina Blvd
San Dimas, Ca. 91773

Thank you for choosing Westin products
for additional installation assistance please call
Customer Service (800) 793-7846

Westin

SIGNATURE OF QUALITY

AUTOMOTIVE PRODUCTS, INC.



WARNING



Failure to follow these instructions could lead to death, personal injury, and / or property damage.

FASTENERS:

All Westin supplied fasteners must be utilized and installed in accordance with the installation instructions and apply torque to the specifications as defined. **DOUBLE CHECK ALL FASTENERS BEFORE INITIAL USE, AND PERIODICALLY IN THE FUTURE TO ENSURE PROPER FUNCTION AND SAFETY.**

DRILLING:

Most Westin products do not require drilling for installation. If drilling is defined as required, use caution when drilling a vehicle. **FAILURE TO REVIEW AN AREA TO BE DRILLED MAY RESULT IN PERSONAL INJURY AND/OR INJURY TO OTHERS AS WELL AS VEHICLE DAMAGE.**

EYE PROTECTION:

ALWAYS WEAR SAFETY GLASSES OR GOGGLES DURING THE INSTALLATION PROCESS TO AVOID PERSONAL INJURY.

MAXIMUM TOWING/CARRYING CAPACITY:

The Westin Receiver Hitches will have a visible tow rating label affixed directly on the product. User should never exceed the vehicle manufacturers maximum tow and weight rating regardless of the capacity of the hitch. **FAILURE TO FOLLOW THESE GUIDELINES WILL VOID THE WESTIN WARRANTY AND MAY RESULT IN PERSONAL INJURY AND/OR INJURY TO OTHERS AS WELL AS VEHICLE DAMAGE.**

Westin
SIGNATURE OF QUALITY

Westin Automotive Products, Inc.
320 W. Covina Blvd
San Dimas, Ca. 91773