



AUTOMOTIVE PRODUCTS,

# INSTALLATION INSTRUCTIONS

## PROTRAXX 6 OVAL STEP BAR

### APPLICATION:

2009-2017 Dodge Ram 1500 Crew/Quad Cab

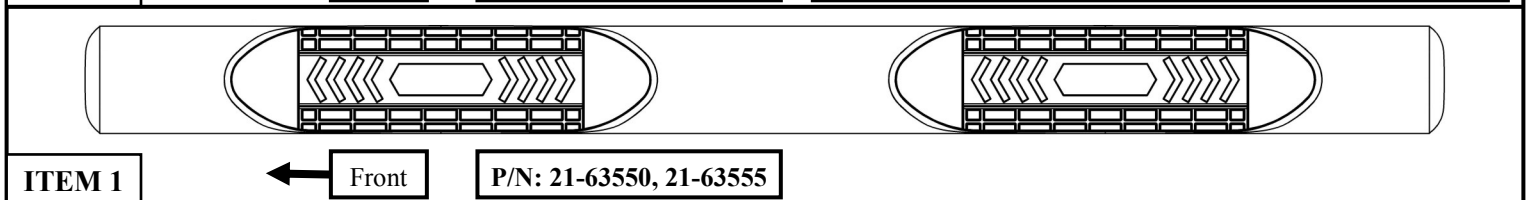
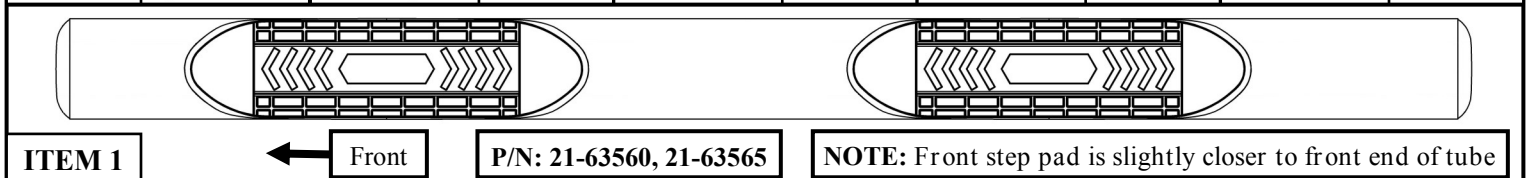
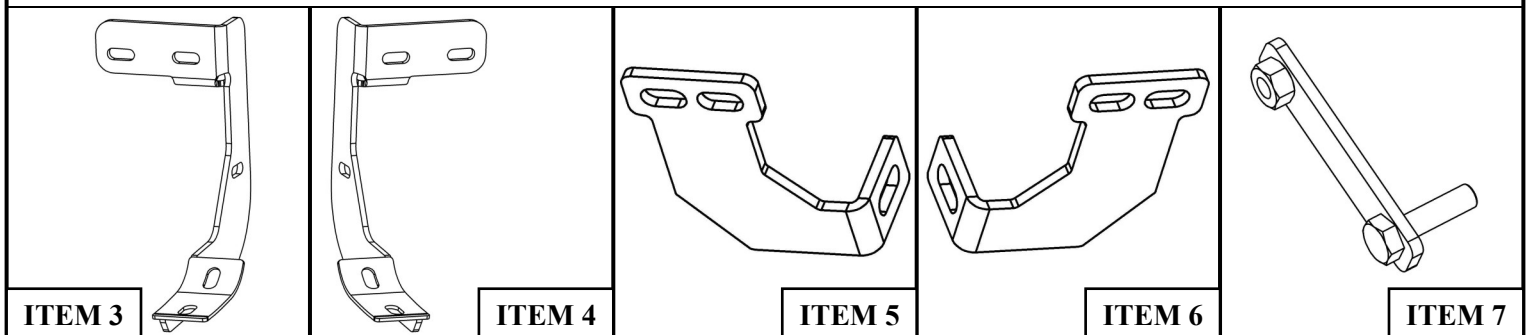
2010-2017 Dodge Ram 2500/3500 Crew Cab

### PART NUMBER:

21-63550, 21-63555, 21-63560, 21-63565

ITEM	QUANTITY	DESCRIPTION	TOOLS NEEDED
1,2	2	STEP BAR, DRIVER (1) AND PASSENGER (2)	ALLEN KEY
3	3	DRIVER FRONT, PASSENGER CENTER AND REAR MOUNT BRACKETS	13MM WRENCH
4	3	PASSENGER FRONT, DRIVER CENTER AND REAR MOUNT BRACKETS	RATCHET
5	3	SUPPORT BRACKETS, DRIVER FRONT AND PASSENGER CENTER/REAR	TORQUE WRENCH
6	3	SUPPORT BRACKETS, PASSENGER FRONT AND DRIVER CENTER/REAR	
7	6	M8 NUT/BOLT PLATES	
8	6	M8 PLASTIC RETAINERS	
9	18	M8 HEX HEAD BOLTS (YELLOW ZINC)	
10	24	M8 FLAT WASHERS (YELLOW ZINC)	
11	12	M8 LOCK WASHERS (YELLOW ZINC)	
12	6	M8 HEX NUTS (YELLOW ZINC)	
13	6	M8 NYLON LOCK NUTS (YELLOW ZINC)	
14	12	M8 COMBINATION HEX BOLTS (YELLOW ZINC)	
15	12	M6 HEX HEAD BOLTS (YELLOW ZINC)	
16	24	M6 FLAT WASHERS (YELLOW ZINC)	
17	12	M6 NYLON LOCK NUTS (YELLOW ZINC)	

**ANTI-SEIZE LUBRICANT MUST BE USED ON ALL STAINLESS STEEL FASTENERS TO PREVENT THREAD DAMAGE AND GALLING**



Westin Automotive Products, Inc.  
320 W. Covina Blvd  
San Dimas, Ca. 91773

Thank you for choosing Westin products  
for additional installation assistance please call  
Customer Service (800) 793-7846

## PROCEDURE

1. Remove contents from box, verify if all parts listed are present and free from damage.  
Carefully read and understand all instructions before attempting installation.  
**Failure to identify damage before installation could lead to a rejection of any claim.**
2. Starting at the driver side-front of the vehicle, remove the sealing tape covering the factory holes in the side of the inner panel. **See Figure 1.**
3. Determine the correct procedure to attach the driver side front bracket for your model/year:  
**Models without factory threaded inserts in body panel:**
  - a. Partially thread an M8 hex bolt into the threaded end of an M8 bolt and nut plate. **See Figure 2.** Thread the hex bolt in until it is flush with the welded nut. **See Figure 3.** Use the hex bolt as a handle and insert the bolt and nut plate into the oval hole. **See Figure 4.** Feed the threaded bolt on the bolt plate through one of the hex shaped factory holes. Thread (1) M8 plastic retainer onto the threaded end and down tight against the body panel. **See Figure 5.** **NOTE:** The plastic retainer is designed to keep the bolt/nut plate from falling into the body panel and to aid in bracket installation.
  - b. Select the driver side front mounting bracket. **See Figure 6.** Attach the bracket to the threaded end of the bolt plate with (1) M8 flat washer, (1) M8 lock washer and (1) M8 hex nut. **See Figure 7.** Do not tighten at this time.
  - c. Remove the M8 hex bolt from the nut on the bolt plate from **Step 3a.** Rotate the bolt on the bolt plate until the threaded nut lines up with the remaining hole in the mounting bracket and body panel. **See Figures 7 and 8.** Attach the bracket to the threaded nut plate with (1) M8 hex bolt, (1) M8 lock washer, and (1) M8 flat washer. **See Figure 8.** Do not fully tighten hardware at this time.**Models with factory threaded inserts:**
  - a. Attach the driver side front bracket to the threaded inserts with (2) M8 hex bolts, (2) M8 lock washers and (2) M8 flat washers. **See Figures 9 and 10.** Leave hardware loose.
4. Next, select the driver side front support bracket. Attach the bracket to the front facing side of the front bracket with (1) M8 hex bolt, (2) M8 flat washers and (1) M8 nylon lock nut. **See Figure 11.** Rotate the support bracket to the back of the pinch weld. Line up the slots in the top of the support bracket with the (2) factory holes in the pinch weld. Attach the bracket to the back of the pinch weld with (2) M6 hex bolts, (4) M6 flat washers and (2) M6 nylon lock nuts. **See Figures 12 and 13.** Do not fully tighten hardware at this time. **IMPORTANT:** 2009-10 models are not equipped with factory holes and will require drilling through the pinch weld to attach the support bracket. Do not drill through pinch weld at this time. **See Step 8.**
5. Move along the side of the body panel to the center mounting location. **See Figure 14.** Repeat the appropriate **Step 3** to install the driver side center bracket. **See Figures 15 and 16.** **IMPORTANT:** The front bracket is different from the center and rear mounting brackets, (see illustration on front page-note direction of mounting plate). Select (1) driver side center/rear support bracket. Repeat **Step 4** to attach the support bracket to the back of the center bracket and holes, (if equipped), in the pinch weld. **See Figures 16 and 20.**
6. Move to the rear location. **See Figure 17.** Repeat **Step 5** to install the rear mounting bracket. **See Figures 18 and 21.**
7. Select the driver step bar. Carefully position the step bar onto the (3) mounting brackets. **IMPORTANT:** Do not slide, (front to back or rotate), the step bar on the brackets or damage to the finish on the step bar may result. Attach the step bar to the (3) brackets with (6) M8 combination hex bolts. **See Figures 19-21.** Do not fully tighten at this time.



Westin Automotive Products, Inc.  
320 W. Covina Blvd  
San Dimas, Ca. 91773

Thank you for choosing Westin products  
for additional installation assistance please call  
Customer Service (800) 793-7846

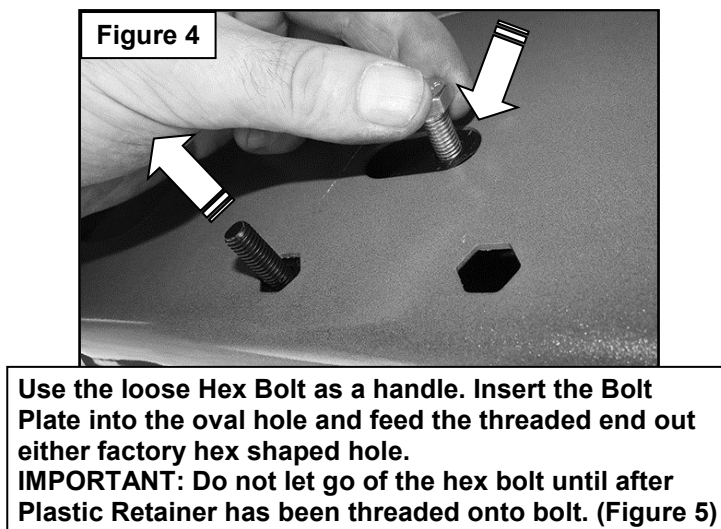
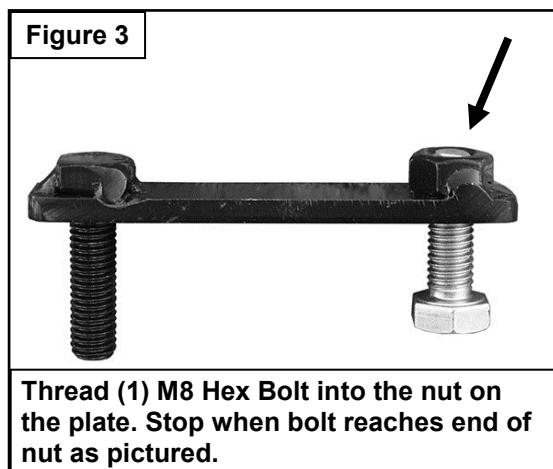
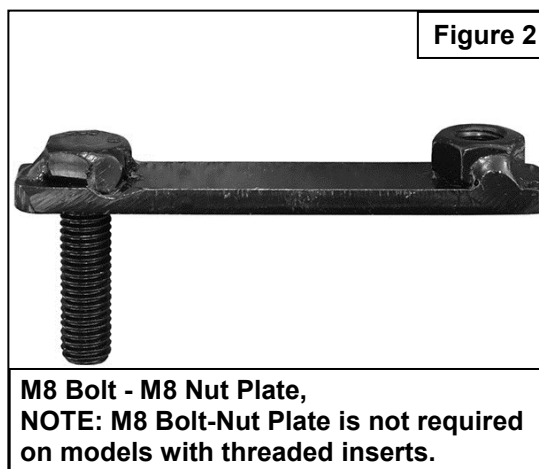
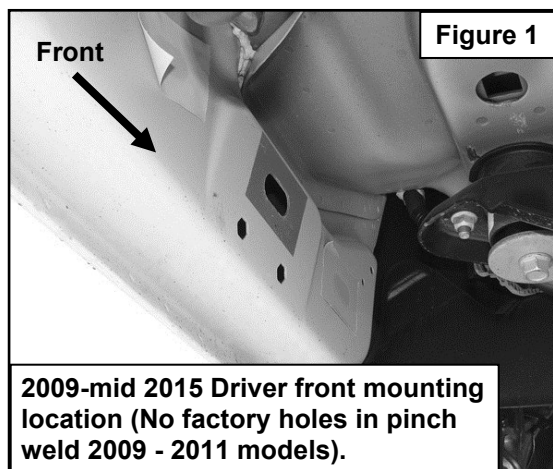
[www.westinautomotive.com](http://www.westinautomotive.com)

8. Properly level and adjust the step bar and fully tighten all hardware:
 

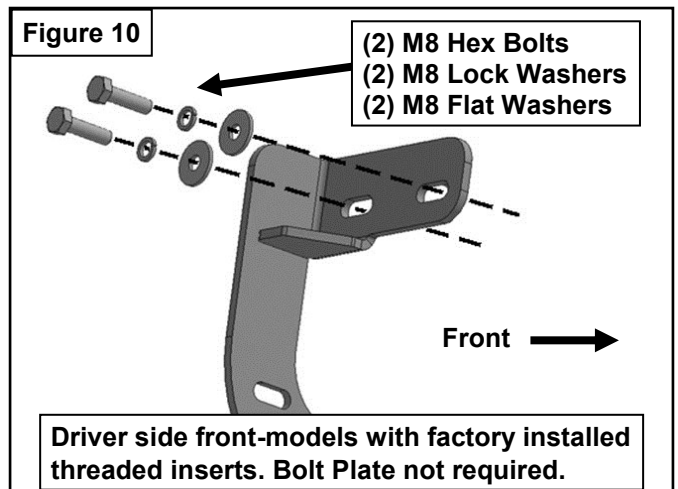
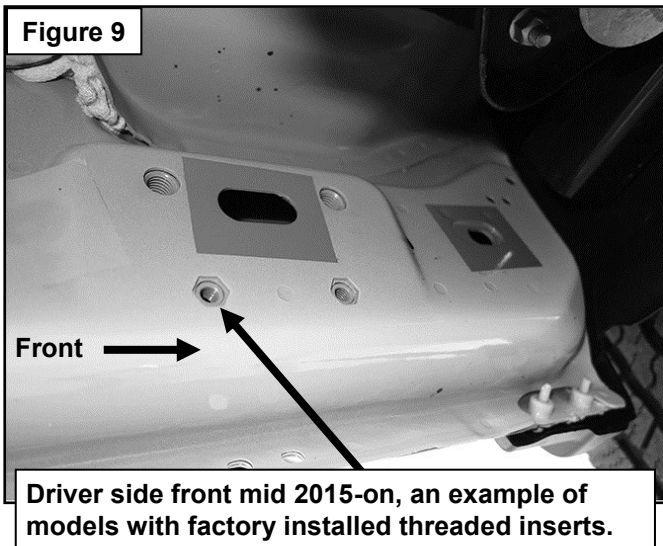
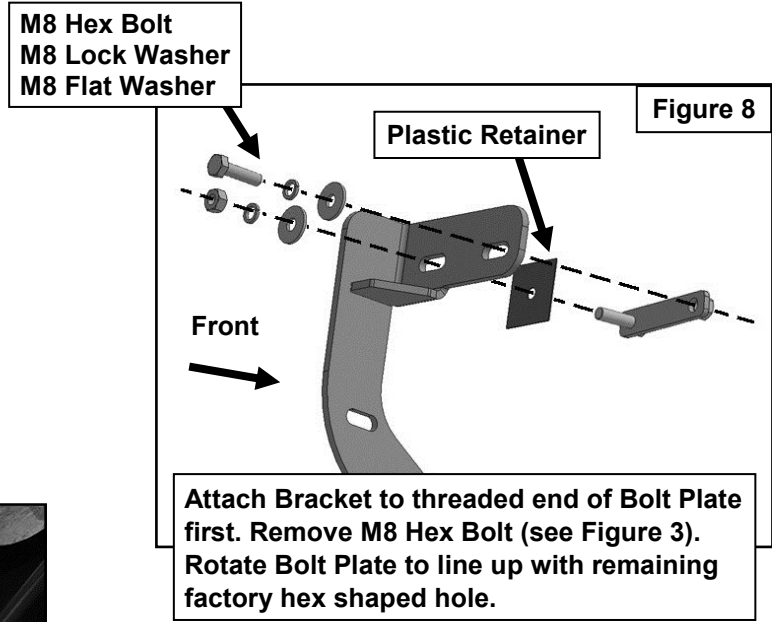
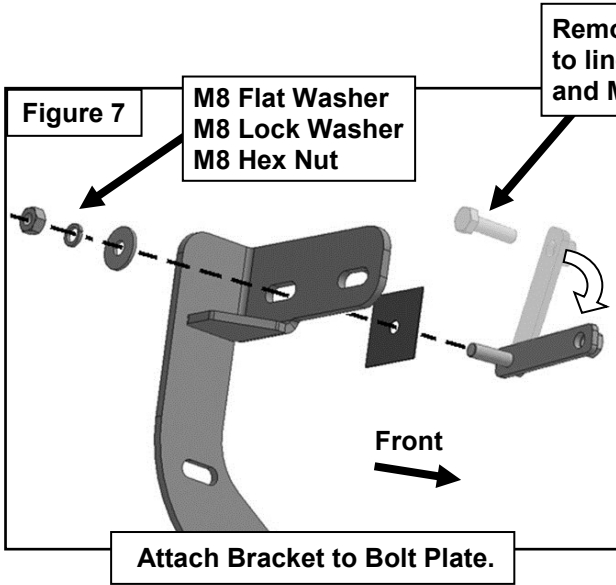
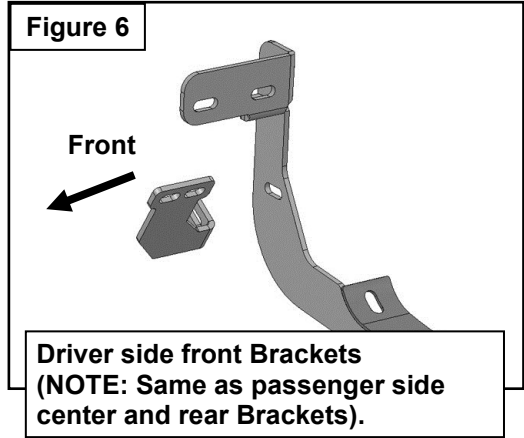
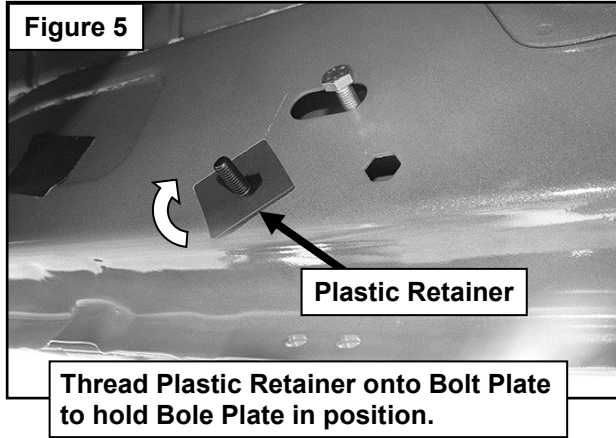
**2009-2010 models requiring drilling for driver side support brackets:**

  - a. Make sure the step bar is level to the vehicle. Adjust and tighten all mounting hardware.
  - b. Line up the slots on the support brackets with the back of the pinch weld. Mark the location of the slots onto the pinch weld.
  - c. Drill (2) 1/4" holes through the pinch weld for each support bracket. **IMPORTANT:** Do not drill too close to the bottom edge of the pinch weld. Adjust the brackets as necessary to move the slots up the body panel away from the edge. Drill the holes toward the outside of the marked slots.
  - d. Attach each support bracket to the pinch weld with (2) M6 hex bolts, (4) M6 flat washers and (2) M6 nylon lock nuts. **See Figures 12, 13, 18 - 21.** Check the step bar for level then fully tighten all hardware.
9. Move to the passenger side of the vehicle. Remove tape covering front, center and rear locations. Repeat **Steps 2 - 8** for passenger side mounting bracket installation. **NOTE:** Refer to the illustration of **Page 1** to identify the correct mounting bracket for each of the remaining locations.
10. Do periodic inspections to the installation to make sure that all hardware is secure and tight.

### Driver Side Installation Pictured



## Driver Side Installation Pictured

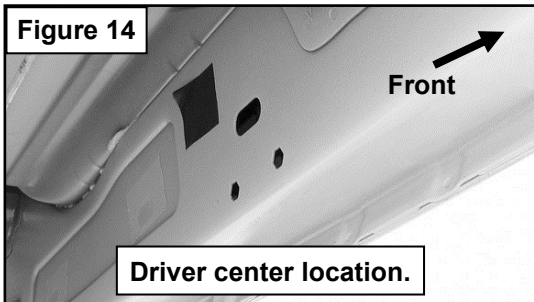
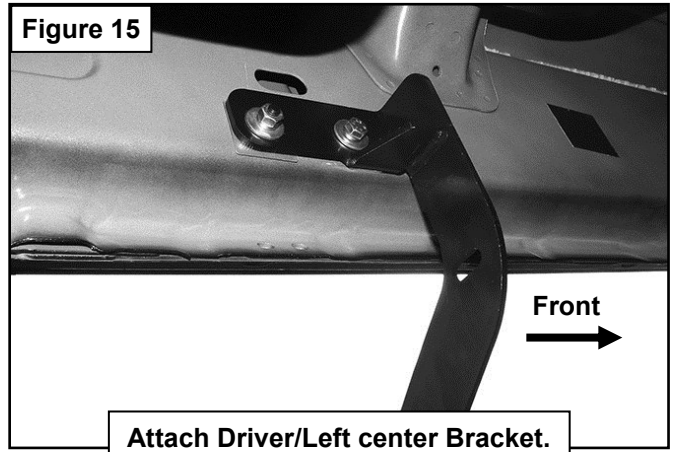
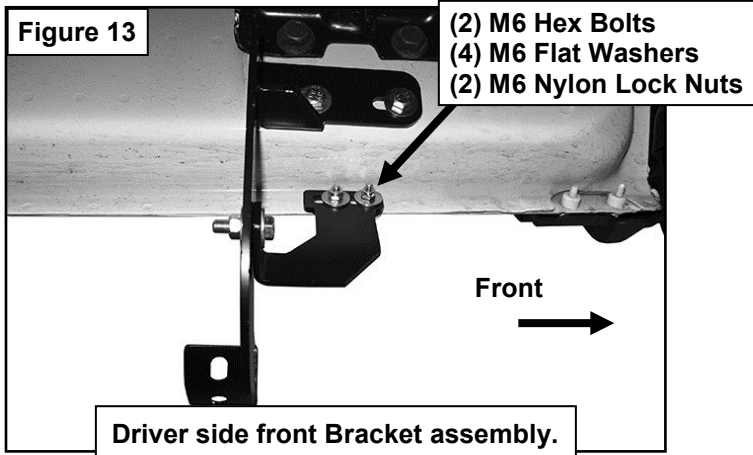
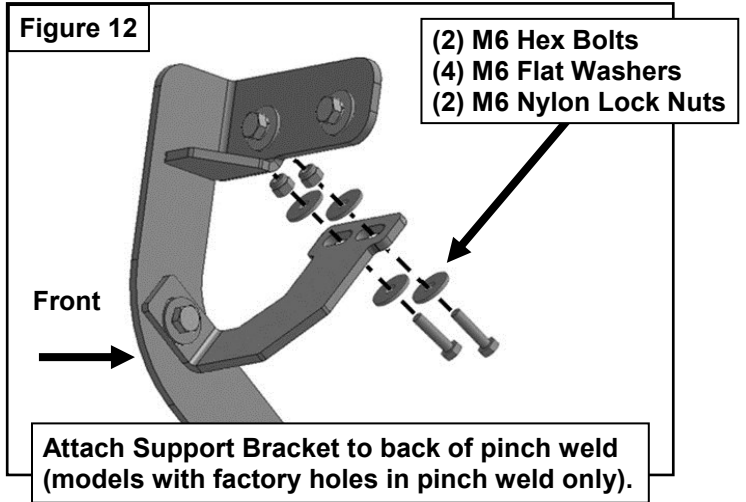
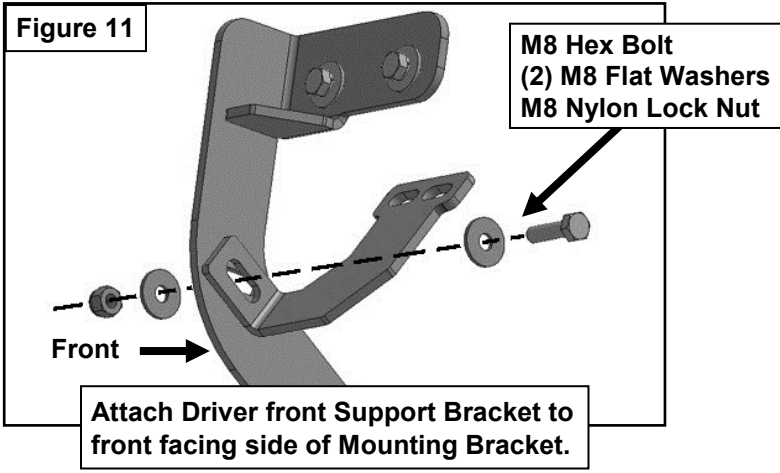


Westin Automotive Products, Inc.  
320 W. Covina Blvd  
San Dimas, Ca. 91773

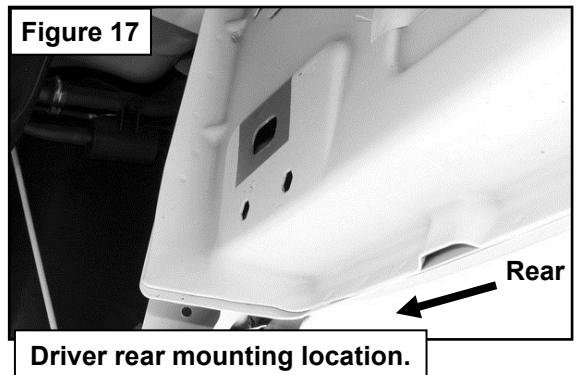
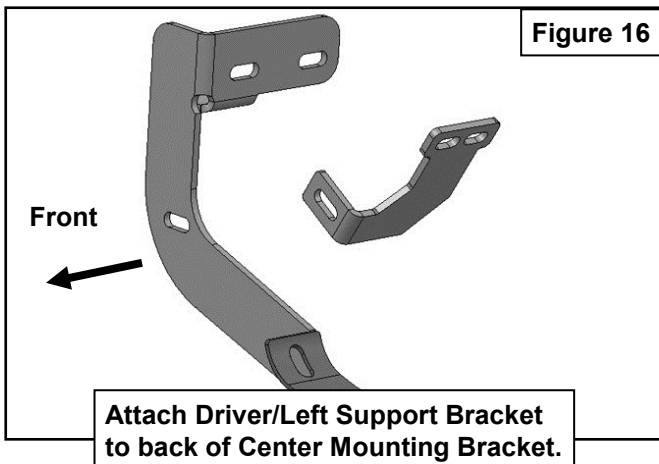
Thank you for choosing Westin products  
for additional installation assistance please call  
Customer Service (800) 793-7846  
www.westinautomotive.com



## Driver Side Installation Pictured

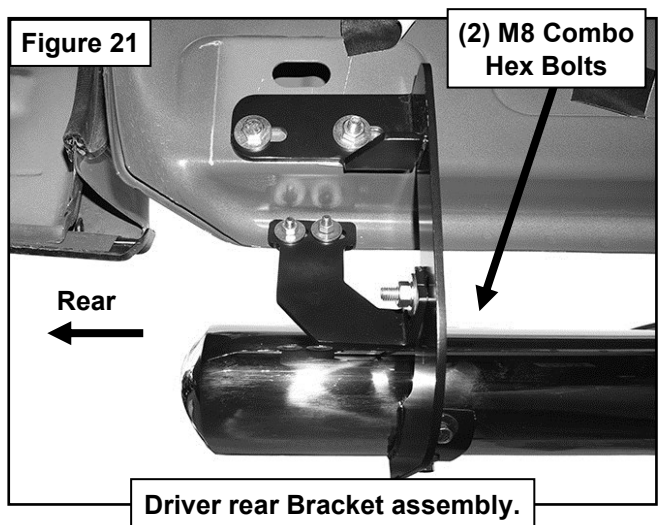
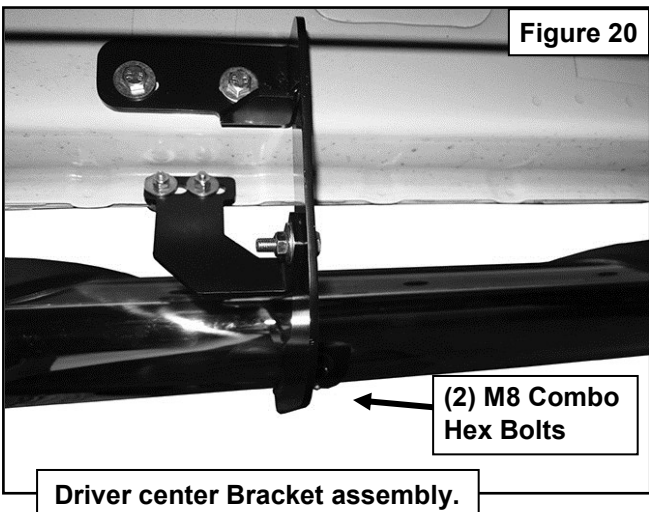
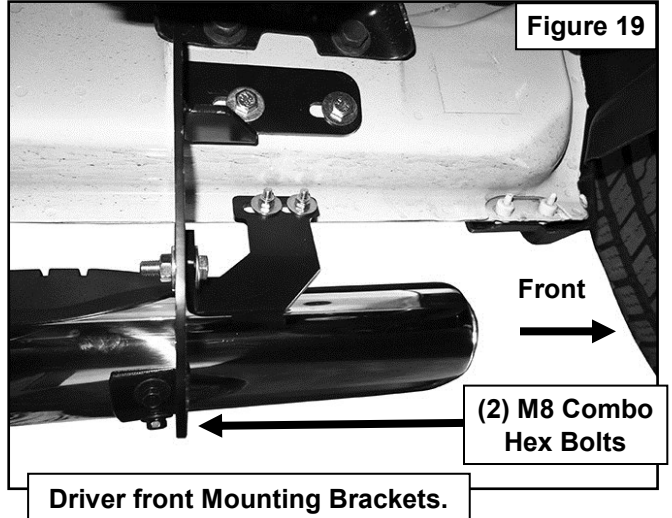
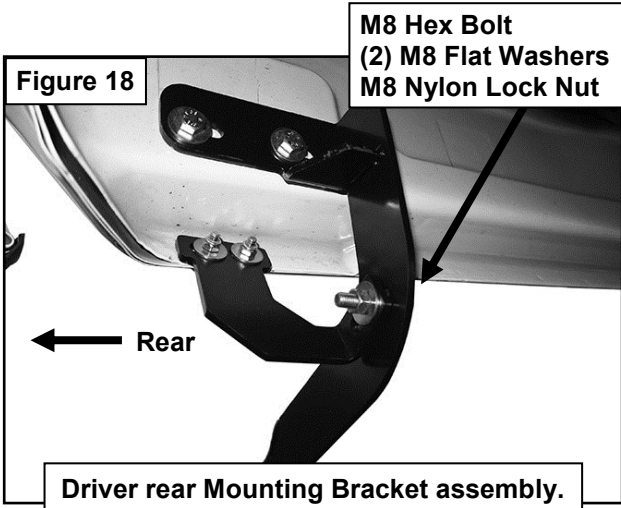


**IMPORTANT:** 2009-2010 models without holes in pinch weld will require drilling 1/4" holes through pinch weld to attach driver side front support bracket. Do complete installation of step bars first, level step bar before drilling holes for support bracket.



Westin Automotive Products, Inc.  
320 W. Covina Blvd  
San Dimas, Ca. 91773

**Driver Side Installation Pictured**



**CARE INSTRUCTIONS**

- REGULAR WAXING IS RECOMMENDED. DO NOT USE ANY TYPE OF POLISH OR WAX THAT MAY CONTAIN ABRASIVES.
- STAINLESS STEEL PRODUCTS CAN BE CLEANED WITH MILD SOAP AND WATER. STAINLESS STEEL POLISH SHOULD BE USED TO POLISH SMALL SCRATCHES.
- GLOSS BLACK FINISHES SHOULD BE CLEANED WITH MILD SOAP AND WATER.



Westin Automotive Products, Inc.  
320 W. Covina Blvd  
San Dimas, Ca. 91773

Thank you for choosing Westin products  
for additional installation assistance please call  
Customer Service (800) 793-7846  
www.westinautomotive.com

# Westin

SIGNATURE OF QUALITY

AUTOMOTIVE PRODUCTS, INC.



## WARNING



Failure to follow these instructions could lead to death, personal injury, and / or property damage.

### FASTENERS:

All Westin supplied fasteners must be utilized and installed in accordance with the installation instructions and apply torque to the specifications as defined. **DOUBLE CHECK ALL FASTENERS BEFORE INITIAL USE, AND PERIODICALLY IN THE FUTURE TO ENSURE PROPER FUNCTION AND SAFETY.**

### DRILLING:

Most Westin products do not require drilling for installation. If drilling is defined as required, use caution when drilling a vehicle. **FAILURE TO REVIEW AN AREA TO BE DRILLED MAY RESULT IN PERSONAL INJURY AND/OR INJURY TO OTHERS AS WELL AS VEHICLE DAMAGE.**

### EYE PROTECTION:

**ALWAYS WEAR SAFETY GLASSES OR GOGGLES DURING THE INSTALLATION PROCESS TO AVOID PERSONAL INJURY.**

### MAXIMUM TOWING/CARRYING CAPACITY:

The Westin Receiver Hitches will have a visible tow rating label affixed directly on the product. User should never exceed the vehicle manufacturers maximum tow and weight rating regardless of the capacity of the hitch. **FAILURE TO FOLLOW THESE GUIDELINES WILL VOID THE WESTIN WARRANTY AND MAY RESULT IN PERSONAL INJURY AND/OR INJURY TO OTHERS AS WELL AS VEHICLE DAMAGE.**

**Westin**  
SIGNATURE OF QUALITY

Westin Automotive Products, Inc.  
320 W. Covina Blvd  
San Dimas, Ca. 91773