



AUTOMOTIVE PRODUCTS, INC.

INSTALLATION INSTRUCTIONS

PRO TRAXX 4 & 5 OVAL TUBE STEP BARS

APPLICATION:

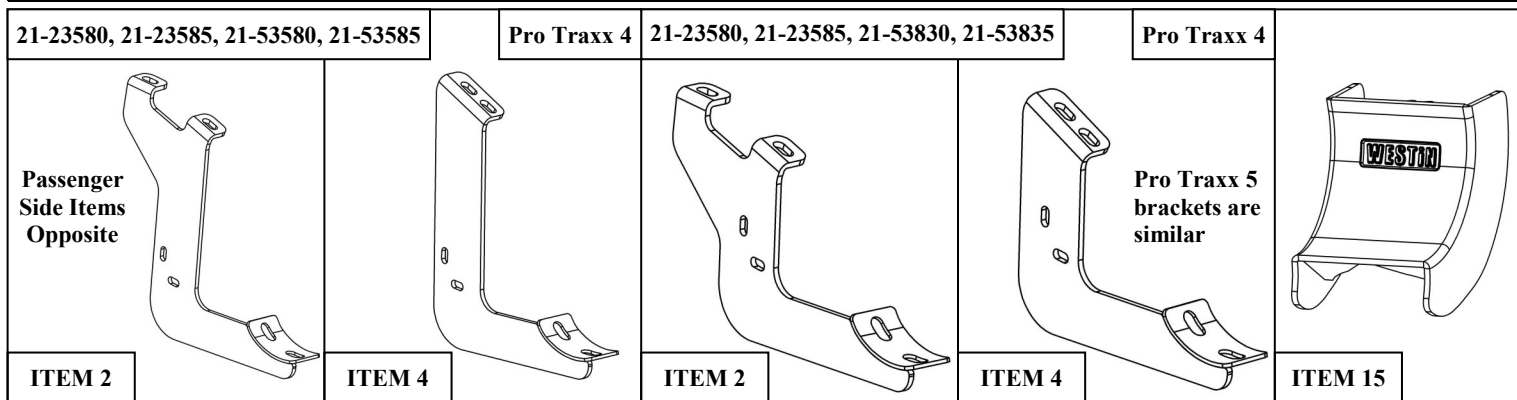
- 2010-2017 Toyota 4Runner Limited
- 2010-2013 Toyota 4Runner (excl. Trail Edition)
- 2014-2017 Toyota 4Runner SR5
- 2010-2017 Toyota 4Runner Trail Edition

PART NUMBER:

- 21-23580, 21-23585, 21-23830, 21-23835,
- 21-53580, 21-53585, 21-53830, 21-53835

ITEM	QUANTITY	DESCRIPTION	TOOLS NEEDED
1	2	STEP BARS	12MM SOCKET
2,3	2	FRONT MOUNT BRACKET, DRIVER (2) AND PASSENGER (3)	13MM SOCKET
4,5	2	REAR MOUNT BRACKET, DRIVER (4) AND PASSENGER (5)	HEX KEY TOOL
6	8	M8 HEX HEAD CAP SCREWS (YELLOW ZINC)	RATCHET
7	8	M8 FLAT WASHERS (YELLOW ZINC)	TORQUE WRENCH
8	8	M8 LOCK WASHERS (YELLOW ZINC)	
9	8	M10 HEX BUTTON HEAD CAP SCREWS (STAINLESS)	
10	8	M10 TOOTHED LOCK WASHERS (STAINLESS)	
11	8	M10 FLAT WASHERS (STAINLESS)	
12	8	M6 HEX HEAD CAP SCREWS (YELLOW ZINC)	
13	16	M6 FLAT WASHERS (YELLOW ZINC)	
14	8	M6 NYLON NUTS (YELLOW ZINC)	
15	4	PLASTIC BRACKET COVER	

ANTI-SEIZE LUBRICANT MUST BE USED ON ALL STAINLESS STEEL FASTENERS TO PREVENT THREAD DAMAGE AND GALLING



PROCEDURE

1. Remove contents from box, verify if all parts listed are present and free from damage. Carefully read and understand all instructions before attempting installation.
Failure to identify damage before installation could lead to a rejection of any claim.
2. Starting at the driver side front use 12mm socket to remove the two rocker panel bracket hex cap screws. **(Figures 1 & 2)**
Note: These screws will not be re-installed. 2014 - 2017 SR5 and 2010 - 2017 Trail models do not have rocker panel brackets.



Westin Automotive Products, Inc.
320 W. Covina Blvd
San Dimas, Ca. 91773

Thank you for choosing Westin products
for additional installation assistance please call
Customer Service (800) 793-7846

2010-2013 SR5 & 2010-2017 Limited Models

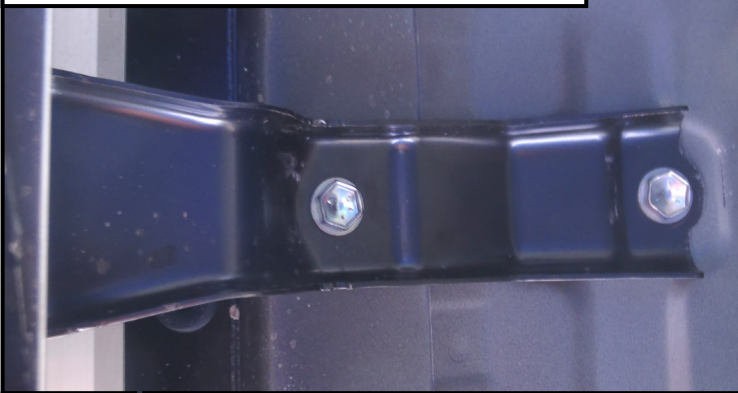


Figure 1 Driver side front rocker panel bracket cap screws

2014-2017 SR5 & 2010-2017 Trail Models



Figure 2 Driver side front rocker panel cap screws

- Follow the same steps to loosen the center rocker panel hex head cap screws and remove the rear rocker panel hex head cap screws. (Figures 3 & 4). **Note:** On 2014+ SR5 and 2010+ Trail models do not need to loosen the center cap screws.

2010-2013 SR5 & 2010-2017 Limited Models



Figure 3 Driver side rear rocker panel bracket cap screws

2014-2017 SR5 & 2010-2017 Trail Models



Figure 4 Driver side rear rocker panel cap screws

- Take the driver side front mount bracket (Item 2) and place it over the factory rocker panel bracket. Attach using (2) M8 hex head cap screws (Item 6), (2) M8 lock washers (Item 8), and (2) M8 flat washers (Item 7). (Figures 5 & 6) Do not fully tighten at this time. **Note:** The mount bracket cradles should face the rear of the vehicle.

Note: Part numbers 21-23580, 21-23585, 21-53580, and 21-53585 [2010-2017 Toyota 4Runner Limited and 2010-2013 Toyota 4Runner (excl. Trail Edition)] have longer brackets compared to part numbers 21-23580, 21-23585, 21-53830, and 21-53835 [2014-2017 Toyota 4Runner SR5 and 2010-2017 Toyota 4Runner Trail Edition]. See images on page 1.

2010-2013 SR5 & 2010-2017 Limited Models

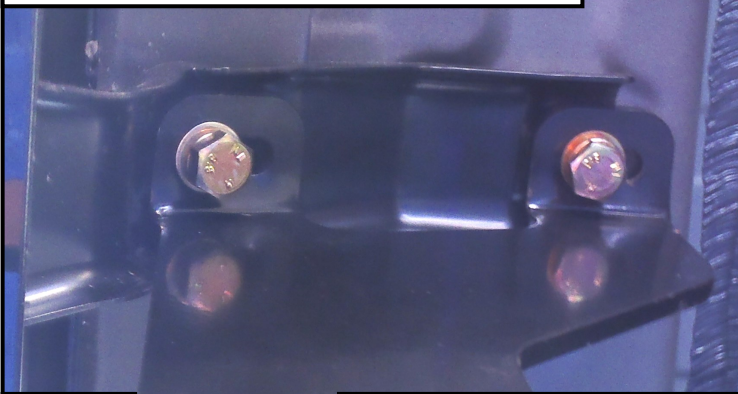


Figure 5 Driver side front mount bracket

2014-2017 SR5 & 2010-2017 Trail Models



Figure 6 Driver side front mount bracket



Westin Automotive Products, Inc.
320 W. Covina Blvd
San Dimas, Ca. 91773

Thank you for choosing Westin products
for additional installation assistance please call
Customer Service (800) 793-7846

www.westinautomotive.com

DATE: 4/25/17

5. Move to the rear drivers side and attach the driver side rear mount bracket (Item 4) over the factory rocker panel bracket the same way as the front bracket was done in **Step 4 (Figures 7 & 8)**. Do not fully tighten at this time.

2010-2013 SR5 & 2010-2017 Limited Models

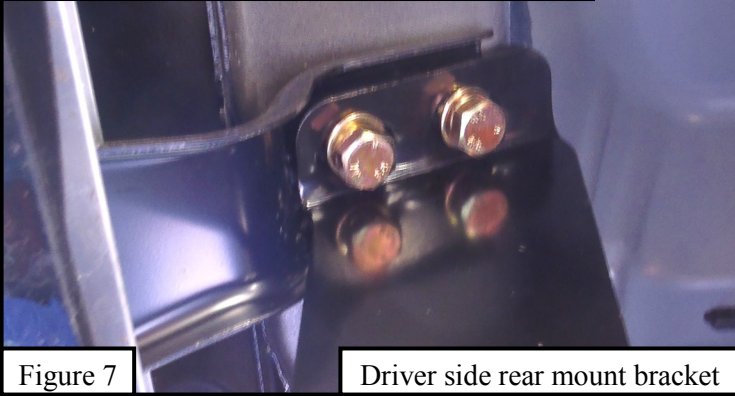


Figure 7

Driver side rear mount bracket

2014-2017 SR5 & 2010-2017 Trail Models



Figure 8

Driver side rear mount bracket

6. Locate (1) plastic bracket cover (Item 15) and loosely secure it to the (4) brackets using the provided hardware: (2) M6 hex head cap screws, (4) M6 flat washers, and (2) M6 nylon nuts per bracket. Repeat for every bracket. (**Figure 9**)
7. Take the drivers side step bar and place it on the mount bracket cradles and align it with the mounting holes. Attach using (4) M10 hex button head cap screws (Item 9), (4) M10 toothed lock washers (Item 10), and (4) M10 flat washers (Item 11) (**Figures 10 & 11**) **Note:** The Westin logo should face outward.

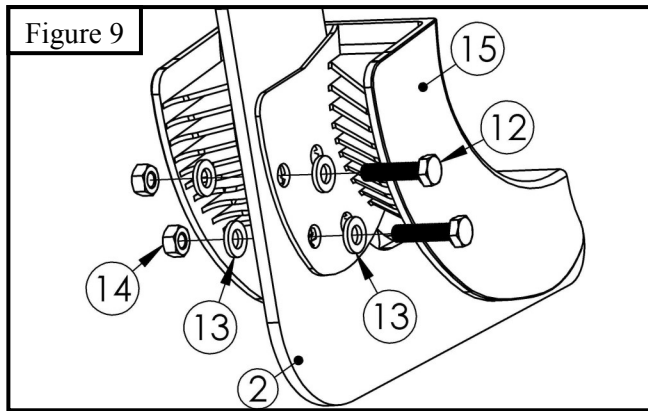
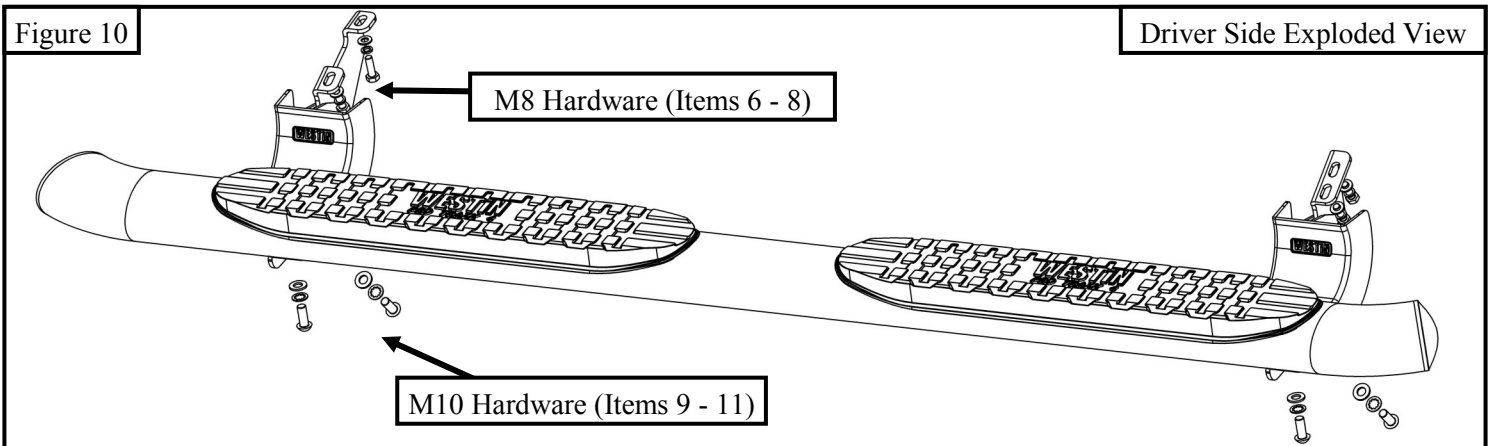


Figure 9

Figure 10

Driver Side Exploded View



M8 Hardware (Items 6 - 8)

M10 Hardware (Items 9 - 11)

8. Align and adjust step bars as necessary and tighten all hardware at this time. Torque all M8 fasteners to 15-18 ft-lbs and M10 fasteners to 25-30 ft-lbs. Make sure to re-tighten the center rocker panel hex head cap screws that were loosened in **Step 3**.
9. Follow **Steps 2 - 8** to install the passenger side mount brackets and step bar.

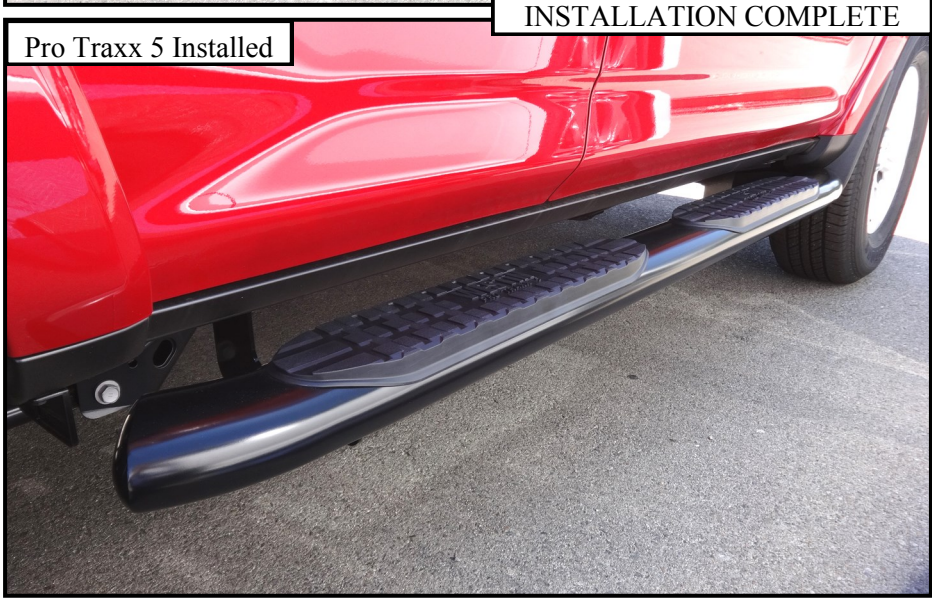
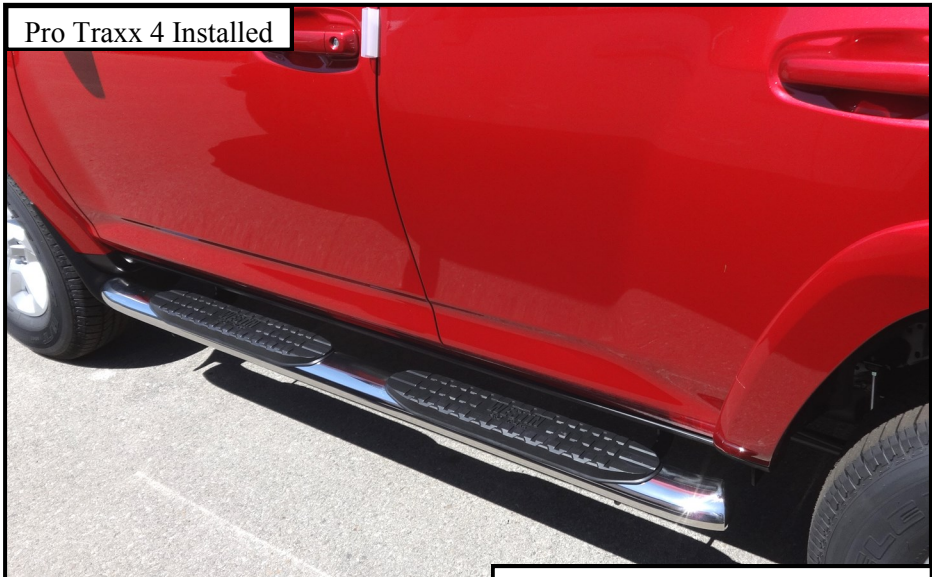
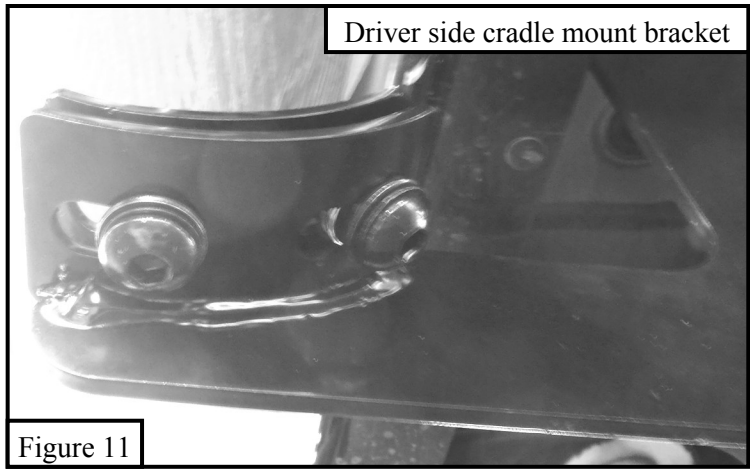


Westin Automotive Products, Inc.
320 W. Covina Blvd
San Dimas, Ca. 91773

Thank you for choosing Westin products
for additional installation assistance please call
Customer Service (800) 793-7846

www.westinautomotive.com

DATE: 4/25/17



Care Instructions

- REGULAR WAXING IS RECOMMENDED. DO NOT USE ANY TYPE OF POLISH OR WAX THAT MAY CONTAIN ABRASIVES.
- STAINLESS STEEL PRODUCTS CAN BE CLEANED WITH MILD SOAP AND WATER. STAINLESS STEEL POLISH SHOULD BE USED TO POLISH SMALL SCRATCHES.
- GLOSS BLACK FINISHES SHOULD BE CLEANED WITH MILD SOAP AND WATER.



Westin Automotive Products, Inc.
320 W. Covina Blvd
San Dimas, Ca. 91773

Thank you for choosing Westin products
for additional installation assistance please call
Customer Service (800) 793-7846

Westin

SIGNATURE OF QUALITY

AUTOMOTIVE PRODUCTS, INC.



WARNING



Failure to follow these instructions could lead to death, personal injury, and / or property damage.

FASTENERS:

All Westin supplied fasteners must be utilized and installed in accordance with the installation instructions and apply torque to the specifications as defined. **DOUBLE CHECK ALL FASTENERS BEFORE INITIAL USE, AND PERIODICALLY IN THE FUTURE TO ENSURE PROPER FUNCTION AND SAFETY.**

DRILLING:

Most Westin products do not require drilling for installation. If drilling is defined as required, use caution when drilling a vehicle. **FAILURE TO REVIEW AN AREA TO BE DRILLED MAY RESULT IN PERSONAL INJURY AND/OR INJURY TO OTHERS AS WELL AS VEHICLE DAMAGE.**

EYE PROTECTION:

ALWAYS WEAR SAFETY GLASSES OR GOGGLES DURING THE INSTALLATION PROCESS TO AVOID PERSONAL INJURY.

MAXIMUM TOWING/CARRYING CAPACITY:

The Westin Receiver Hitches will have a visible tow rating label affixed directly on the product. User should never exceed the vehicle manufacturers maximum tow and weight rating regardless of the capacity of the hitch. **FAILURE TO FOLLOW THESE GUIDELINES WILL VOID THE WESTIN WARRANTY AND MAY RESULT IN PERSONAL INJURY AND/OR INJURY TO OTHERS AS WELL AS VEHICLE DAMAGE.**

Westin
SIGNATURE OF QUALITY

Westin Automotive Products, Inc.
320 W. Covina Blvd
San Dimas, Ca. 91773