



IMPORTANT NOTE

25002

THIS KIT GIVES YOU THE OPTION OF A 0" TO 2" LIFT FOR YOUR 4WD 04-UP FORD F150.

Thank you for being selective enough to choose our high quality BELLTECH PRODUCT. We have spent many hours developing our line of products so that you will receive maximum performance with minimum difficulty during installation.

Note: Confirm that all of the hardware listed in the parts list is in the kit. **DO NOT** begin this installation if any part is missing. Read the instructions thoroughly before beginning this installation.

Warning: **DO NOT** work under a vehicle supported by only a jack. Place support stands securely under the vehicle in the manufacturer's specified locations unless otherwise instructed.

Warning: **DO NOT** drive the vehicle until all work has been completed and checked. Torque all hard ware to values specified.

Reminder: Proper use of safety equipment and eye/face/hand protection is absolutely necessary when using these tools to perform procedures!

Note: It is very helpful to have an assistant available during the installation process.

Note: We **DO NOT RECOMMEND** using wheel ramps while performing this installation.

RECOMMENDED TOOLS:

- Blocks and Wheel chocks
- Ratcheting Socket Wrench
- Safety Glasses
- Floor jack and Jack Stands
- Torque Wrench 10-75 lb ft. range
- Properly rated floor jacks and support stands
- Combination Wrench
- Torque wrench: 0-75 lb ft. range
- Open Wrench

1 KIT INSTALLATION

1a. Open the hardware kit and remove all of the contents. Refer to the parts list (Page 6) to verify that all parts are present. Do not begin work if parts are missing.

1b. Park the vehicle on a smooth, level concrete or seasoned asphalt surface and activate the parking brake. Block the REAR wheels of the vehicle with appropriate wheel chocks; making sure the vehicle's transmission is in 1st gear (manual) or "Park" (automatic).

1c. Using a properly rated floor jack, lift the FRONT wheels of the vehicle off the ground. Place support stands, rated for the vehicle's weight and in the factory specified locations. Refer to the vehicle Owner's Manual. Prior to lowering the vehicle onto the stands, make sure the supports will securely contact the chassis.

- 1d. It is very important that the vehicle is properly supported during this installation to prevent personal injury and chassis damage. Make sure that the support stands are properly placed prior to performing the following procedures. We **DO NOT RECOMMEND** using wheel ramps while performing this installation.

REMOVING THE O.E.M. FRONT STRUT

- 2a. Locate the top three mount bolts of the front spring/strut assembly.



- 2b. Remove all three mounting nuts that attaches the top of the spring/strut assembly to the chassis.
- 2c. As you did for the top mounts, remove the bottom mounting bolt of the spring/strut assembly.



3. END LINK & STEERING ARM REMOVAL

- 3a. Locate the end link mounts. Un-bolt the mount nuts to the end links. Remove the end links completely.



- 3b. Locate Steering arm link at spindle. Unbolt the steering arm bolt and disconnect stud from spindle.



4. REMOVE THE SPRING/STRUT COMPLETELY

- 4a. Once all mounts have been un-bolted, hold the spindle assembly and slightly pushing down dislodging the bottom spring/strut assembly from its bottom mounts dislodging the entire spring/strut assembly from its perch.

! Coil springs may be under tension. Springs under tension store a great amount of energy. Use caution during the following steps to avoid personal injury and/or damage to vehicle. Be careful not to damage the brake hoses.

PRE-ASSEMBLY OF THE STRUT

The installation shown has been done at a professional installation shop.

- 5a. Mount the entire spring/strut assembly in the fixture. To ease the installation of the new strut, mark a white line down the center of the assembly for alignment purposes only showing the front of the top mount



- 5b. Using an open wrench, remove the top mount.



- 5c. Remove OEM vent cap (Requires significant force). Then remove lower spring perch.



5d. Install your required spacers for the desired height.

Spacer	HEIGHT LOWERING 2" 50.8mm	HEIGHT LOWERING 1" 25.4mm	OEM HEIGHT 0" 0MM	HEIGHT LIFTING 1" 25.4mm	HEIGHT LIFTING 2" 50.8mm
25003-008 8mm (0.315")	N/A	N/A	1	1	1
25003-016 16mm (0.63")	N/A	N/A	0	1	2

5e. Assemble the new BELLTECH height adjustable strut using the OEM spring perch, OEM spring, OEM bump stop and the OEM top mount.



6. RE-ASSEMBLY OF THE FRONT SHOCK/SPRING

6a. Re-install on the new assembly, the shock/spring the same way the O.E.M. shock/spring was removed.

6b. In reverse order, follow Steps 2c thru 2a.

6c. Reattached swaybar end links to 18ft-lbs.

7. FINALIZING THE INSTALLATION

All hardware being fastened to the vehicle's original fastening points should be torqued to the proper specifications. To prevent chassis damage, never over-torque the hardware.

7a. Check that all components and fasteners have been properly installed, tightened and torqued.

7b. Check brake hoses and other components for any possible interference.

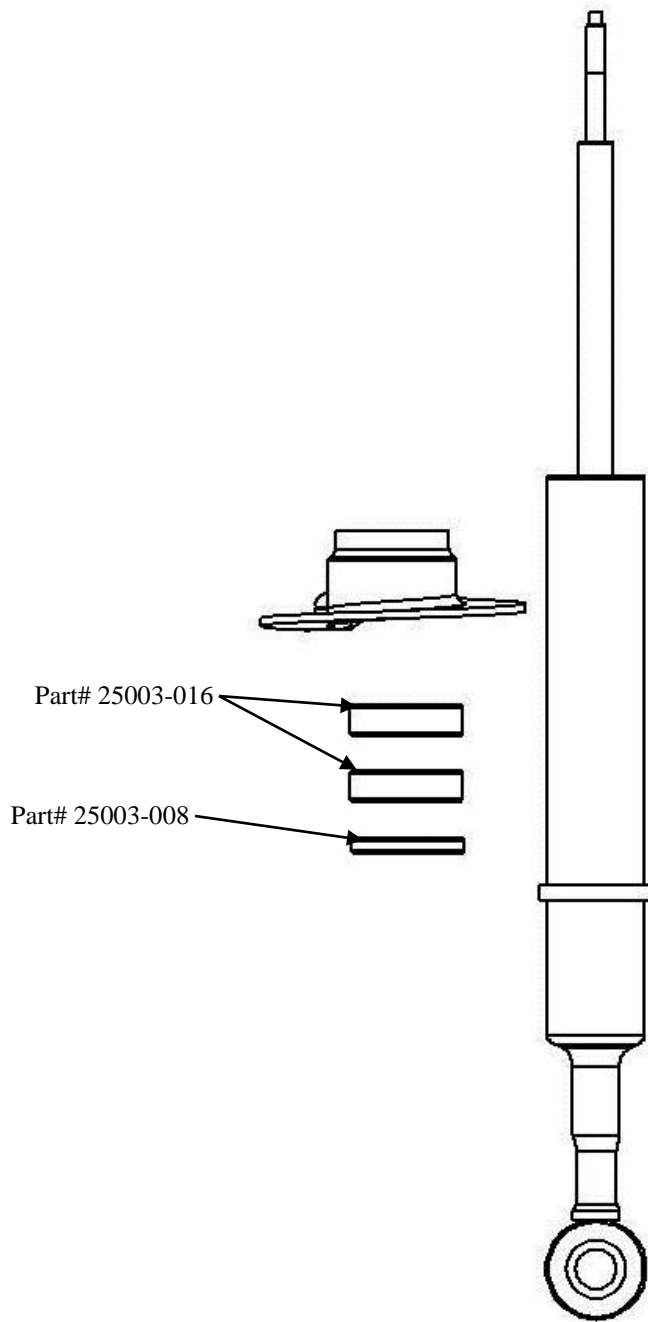
7c. Lift the vehicle and remove the support stands. Carefully lower the vehicle to the ground.

7d. Immediately test-drive the vehicle in a remote location so that you can become accustomed to the revised driving characteristics and handling. Be aware that the vehicle will handle substantially different now that it has been modified.

7e. Installation is complete. Check all of the hardware and re-torque at intervals for the first 10, 100, 1000 miles.



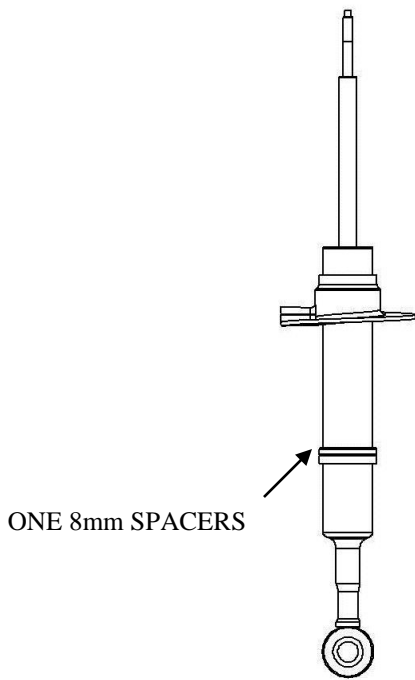
PART NUMBER	DESCRIPTION	QTY
25002	Shock	1
25003-016	Spacer	2
25003-008	Spacer	1
65210031	Vent Disk	1



SPACER QUANTITY NEEDED

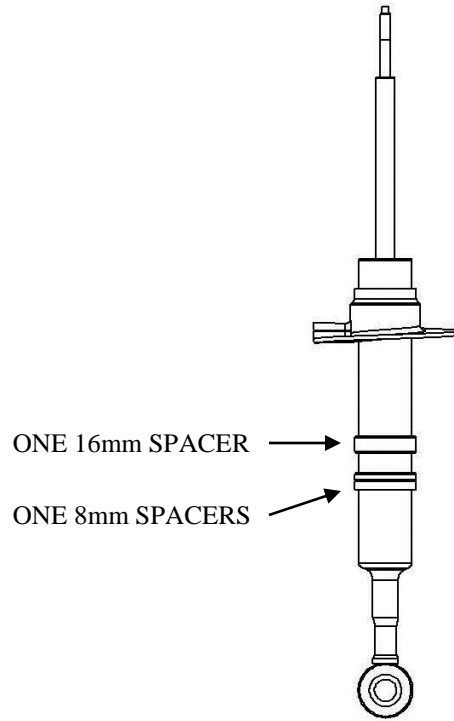
Spacer	HEIGHT LOWERING 2" 50.8mm	HEIGHT LOWERING 1" 25.4mm	OEM HEIGHT 0" 0MM	HEIGHT LIFTING 1" 25.4mm	HEIGHT LIFTING 2" 50.8mm
25003-008 8mm (0.315")	N/A	N/A	1	1	1
25003-016 16mm (0.63")	N/A	N/A	0	1	2

Spacer Setup for OEM Spring



ONE 8mm SPACERS

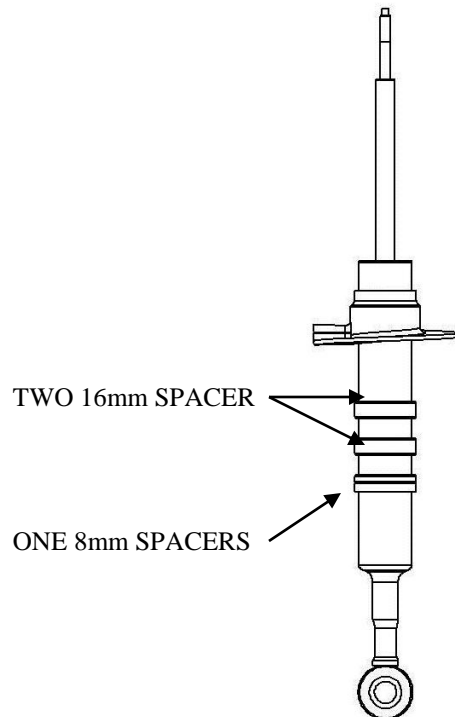
OE Height Setup



ONE 16mm SPACER

ONE 8mm SPACERS

1" Lifted Setup



TWO 16mm SPACER

ONE 8mm SPACERS

2" Lifted Setup