



INSTALLATION GUIDE

PART NUMBER: 25022

REAR LOWERING STRUT

GM TAHOE / YUKON / SUBURBAN / YUKON XL 2WD / 4WD | 2021+

0" TO -3.5" ADJUSTABLE RIDE HEIGHT

300 W. PONTIAC WAY. CLOVIS, CA 93612
PHONE: 800-445-3767 | EMAIL: INFO@BELLTECH.COM

THANK YOU

Thank you for choosing our high quality Belltech product. We have spent a great deal of time developing our line of products so that you will receive maximum performance with minimal difficulty during installation. Soon your vehicle will be on the road looking and feeling much improved.

Please take a moment to read all instructions and warnings prior to the installation of your new Belltech product and before operating your vehicle. If you have any questions or concerns regarding any step in the installation process, please do not hesitate to call or email our customer support specialists who are trained to help you through any portion of this process.

Before You Begin:

It is of the utmost importance that you confirm all of the components listed on the parts list is in the kit. You can find this list located on the last page(s) of your instructions. Do not begin installation if any part is missing. Instead, please call our Belltech customer service specialists.

Belltech Customer Support:

Phone: 1-800-445-3767

Email: info@belltech.com

Safety Information:

Warning: Do not work under a vehicle supported only by a jack. Place support stands securely under the vehicle in the manufacturer's specified locations unless otherwise instructed.

Proper use of safety equipment and eye/face/hand protection is absolutely necessary when performing any of the following instructions.

We strive for an exceptional experience for all our valued customers. If for any reason you need assistance with your Belltech products, please do not return the product to the store you purchased from, but rather call our dedicated customer service experts, from 7am to 5pm PST.

We recommend that a qualified mechanic, at a properly equipped facility, perform this installation.

It is very helpful to have an assistant available during installation.

Before Driving Your Vehicle:

It is important to double check all brake hoses, cables, and other components to be sure there is no interference. You must also check for wheel/tire to chassis/body interference. If any issues are found, review your installation instructions to be sure no steps were missed and any problems are corrected.

Make sure your vehicle is aligned immediately following installation.

Check all hardware and re-torque at intervals for the first 10, 100, and 1000 miles.

Some of Belltech's products are designed to improve your vehicle's off-road performance. Leveling/lifting your vehicle may result in an altered center of gravity. It is crucial to use extreme care when operating your vehicle to prevent rollover and/or loss of control.

Any changes in your vehicle's suspension may result in transformed handleability. Please test-drive your vehicle in a remote location so you can become accustomed to the revised driving characteristics.

Perform headlight check and adjustment.

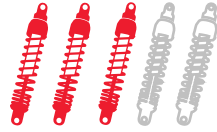
Failure to drive any modified vehicle in a safe manner may result in harm or death.

Never operate your modified vehicle under the influence of drugs, alcohol, or lack of adequate sleep.

Always wear your seatbelt.



DIFFICULTY:



INSTALLATION TIME:

2-4 Hours + Alignment

RECOMMENDED TOOLS:

- Properly rated floor jack
- Support stands
- Wheel chocks
- Metric socket wrench set
- Metric wrench set
- Tape measure
- Marking Pen

SPECIALTY TOOLS:

- High quality spring compressor
- Torque wrench up to 150 ft lbs.

INSTALLATION PREPARATION:

Before beginning the installation process, measure the hub to fender heights for your vehicle and record them in the “Before” section. After your vehicle has been modified, record the new measurements in the, “After” section. This way, you can compare the resulting height to the original. When taking the measurements, measure vertically from the center of the wheel to the inner edge of the fender.

Before:

LF: _____

RF: _____

LR: _____

RR: _____



After:

LF: _____

RF: _____

LR: _____

RR: _____

JACKING, SUPPORTING, AND PREPARING THE VEHICLE

1. Park your vehicle on a smooth, level, concrete or seasoned asphalt surface.
2. Block the front wheels of the vehicle using wheel chocks. Make sure the vehicle's transmission is in "PARK" (automatic) or 1st gear (manual).
3. Activate the parking brake.
4. Break loose, but do not spin the wheel lug nuts to ease in removal when the wheels are in the air.
5. Lift the rear of the vehicle off the ground using a properly rated floor jack. Lift the vehicle so the front tires are approximately 6-8 inches off the ground.
6. Place support stands rated for the vehicles weight. The stands should be positioned in the factory specified locations. (Refer to owners manual). Prior to lowering the vehicle onto stands, make sure the support stands will contact the chassis. It is very important that the vehicle is properly supported to prevent any harm to ones self or to the vehicle.
7. Lower the vehicle slowly onto the stands.
8. Remove the rear wheels.

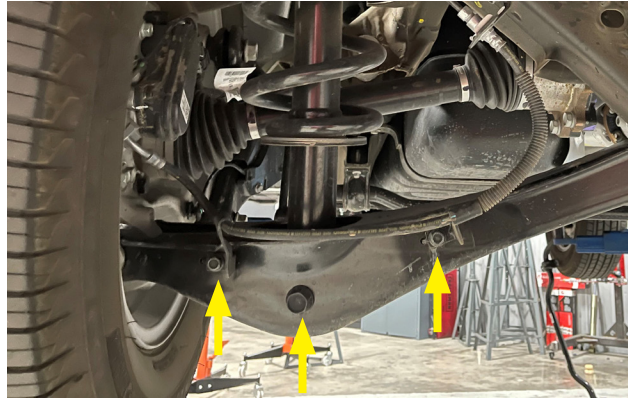


Technician reminder:

Never work under a vehicle supported only by a jack. It is necessary to place support stands securely under the vehicle in the manufacturer's specified locations unless otherwise instructed.

OEM STRUT REMOVAL

9. Remove the lower strut 21mm bolt and the two bolts holding the brake line brackets to the lower control arm.



10. Remove the 24mm lower control arm bolt attaching the control arm to the spindle.
11. Remove the three flanged 18mm nuts that secure the top of the strut to the chassis.



12. Push the lower control arm down until the top of the strut is clear from the chassis then pull the strut out from control arm.



OEM STRUT DISASSEMBLY

13. Mount the strut assembly in a spring compressor fixture. To ease the installation of the new strut, mark the position of the top mount in relationship to the upper spring isolator and strut body.



Technician note:

The installation photograph shown was taken at a professional installation shop. It is important to use a spring compressor to compress the spring before removing the top mount bolt. Failure to do so may result in serious injury.



14. Compress the spring until tension is relieved from the strut.
15. Hold the strut shaft from spinning and remove the top center nut from the strut. Support the shock as the nut is removed as it will fall if not supported.
16. Remove top mount, upper spring isolator, and plastic lower spring isolator to use with your new Belltech strut later.
17. Separate the top mount from the spring isolator using a pry tool or flat head screw driver.



18. Remove the OEM strut from the compressed spring fixture.

BELLTECH STRUT ASSEMBLY

19. The strut is delivered as shown below. Remove the Nyloc nut from the top of the Belltech strut to proceed

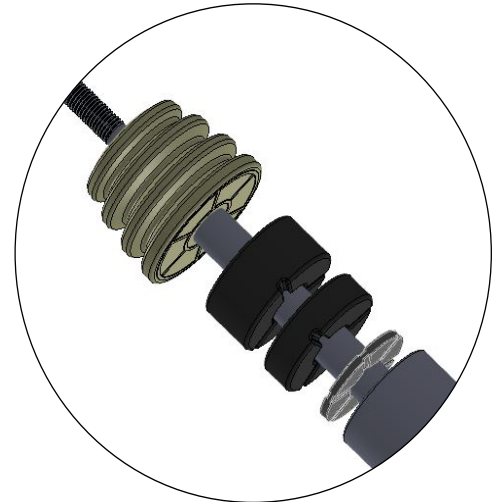


Technician note:

When lowering your vehicle more than -1", OE camber may not be achievable. Ensure proper toe alignment to minimize tire wear.

20. Using the tables below as reference, add the needed lift rings to reach the desired height.

| 2021+ GM TAHOE / YUKON / SUBURBAN / YUKON XL | | | | |
|--|-----------|-----------|-------------|-------------|
| Drop (Inches) | 10mm Ring | 16mm Ring | 15mm Packer | 25mm Packer |
| 3.5" | 0 | 0 | 0 | 0 |
| 3" | 1 | 0 | 1 | 0 |
| 2" | 0 | 2 | 2 | 0 |
| 1" | 2 | 2 | 0 | 2 |



Technician note:

If lowering 2" or more, Belltech adjustable control arms (25122) may be needed to retain factory camber specs for proper vehicle alignment.

If a half inch height increment is desired, remove one 10mm ring from the next increment in the table above.



Technician note:

Belltech uses packers to maintain the correct bump stop engagement at various height ranges. Using the appropriate packer will prevent excessive body roll. If a packer is needed, according to the above charts, please place the packer on top of the vent disc, channel side down, as shown by the image to the right of this text box.

- Transfer plastic lower spring isolator to the new Belltech perch.
- Install the spring perch onto the strut. Do not install the spring perch upside down.
- Slide the vent disk first then the required packers onto the strut rod.
- With the OEM spring still compressed, slide the new Belltech strut into the OEM spring and install Belltech bump stop on the strut rod.
- Complete the assembly using the OEM spring isolator, top mount, and supplied Nyloc nut.
- Align the top mount with the spring using the original marking made in step 13. Torque the strut rod nut to 52 ft lbs.

BELLTECH STRUT INSTALLATION

27. Place the strut on the lower control arm mount, push down on lower arm and install the top mount into the chassis. Secure it using the three OEM nuts. Torque to 43 ft lbs.
28. Attach the two brake line brackets using the original bolts, torque to 16 ft lbs.
29. Attach the lower control arm to the spindle using the original bolt. Torque to 133 ft lbs.
30. Place the original lower strut bolt in the control arm and secure it with the original nut. Torque to 85 ft lbs.

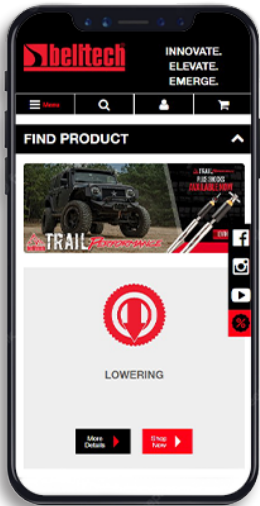


FINALIZING THE INSTALLATION

31. Re-install the wheels and tighten the lug nuts.
32. Lift the vehicle and remove the support stands.
33. Carefully lower the vehicle onto the flat ground.
34. Torque the lug nuts to 140 ft lbs.
35. Check that all components and fasteners have been properly installed and torqued.
36. Re-read and perform all tasks in the “Before Driving Your Vehicle” section of page 1 of your instructions.

THANK YOU FOR CHOOSING BELLTECH.

You are now a part of the Belltech family and we are eager to catch a glimpse of your newly modified vehicle. Give us a shout out and let us know how much you love our product. Don't forget, we offer other Belltech related merchandise for you and your vehicle on our website www.belltech.com



belltechsuspension



Belltech Suspension



@belltechsuspension

If you have any questions, concerns, or warranty related issues regarding your Belltech product, please call or email our experienced customer service specialists.

Belltech Customer Support:

Phone: 1-800-445-3767

Email: info@belltech.com

KIT CONTENTS



| 25022 | | |
|-------------|--------------------------------|-----|
| Part number | Description | Qty |
| 25022-200 | BELLTECH LOWERING STRUT | 1 |
| 25003-010 | 10MM LIFT RING | 2 |
| 25003-016 | 16MM LIFT RING | 2 |
| 4935-001 | 15MM PACKER | 2 |
| 4936-001 | 25MM PACKER | 2 |
| NUT | M12 x 1.25MM FLANGED NYLOC NUT | 1 |
| 4927-001 | BUMP STOP | 1 |
| 65210031 | VENT DISC | 1 |
| 25003-001 | SPRING PERCH | 1 |